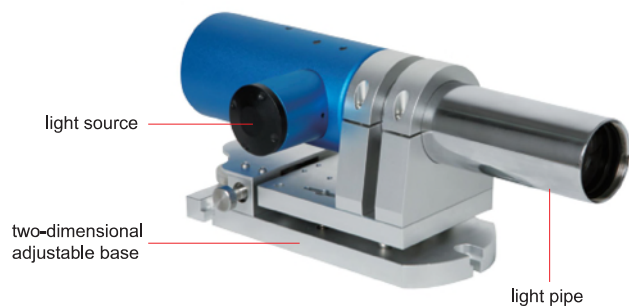


## DUAL AXIS PHOTOELECTRIC AUTOCOLLIMATOR CODE CMS-L401

- Dual axis simultaneous measurement, convenient and efficient
- Electronic eyepiece, low aiming error
- High resolution photodetector, high measurement accuracy
- Semiconductor LED light source, long service life of the light source
- Automatic curve plotting, automatic error calculation
- Multiple data processing methods, can generate standard Excel reports
- Selection of different accessories and measurement software modules, for different measurement needs



software (included)



### SPECIFICATION

Working distance	0-10m
Focal length of objective lens	200mm
Caliber of light	38mm
Light source	semiconductor LED
Field of view range	3200×2400"
Accuracy	±1000" within ±1"
Resolution	0.1"
Data transmission	USB2.0
Dimension (W×D×H)	288×130×115mm
Weight	3.5kg

### STANDARD DELIVERY

Main unit	1 pc
Reflector	1 pc
Magnetic base	1 pc
software (including straightness measurement)	1 set
Data cable	1 pc

### OPTIONAL ACCESSORY

Tripod	CMS-L-TR
Adjustable bridge plate	CMS-L-BR
Assisted laser image finder	CMS-L-FD
Prism adjustment platform	CMS-L-PL
Optical right angle	CMS-L-SQ
Wireless collector	CMS-L-CL
Lifting platform	CMS-L-ST
Parallelism and perpendicularity software module	CMS-L-PA
Flatness software module	CMS-L-FL
Turntable software module	CMS-L-AG



reflector and magnetic base (included)



tripod (optional)



adjustable bridge plate (optional)



assisted laser image finder (optional)



prism adjustment platform (optional)



optical right angle (optional)

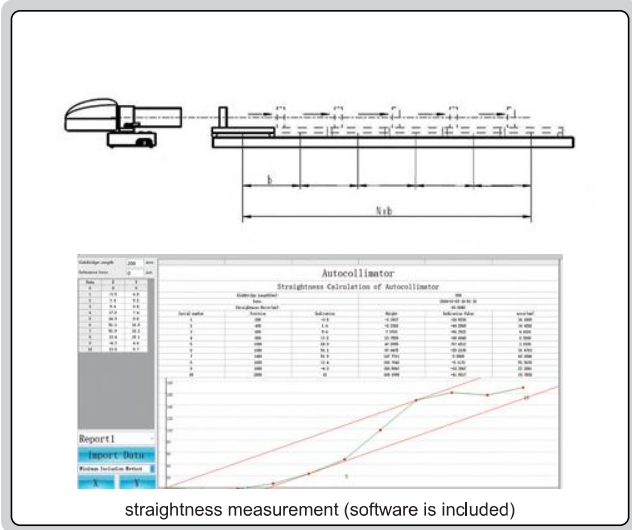


wireless collector (optional)



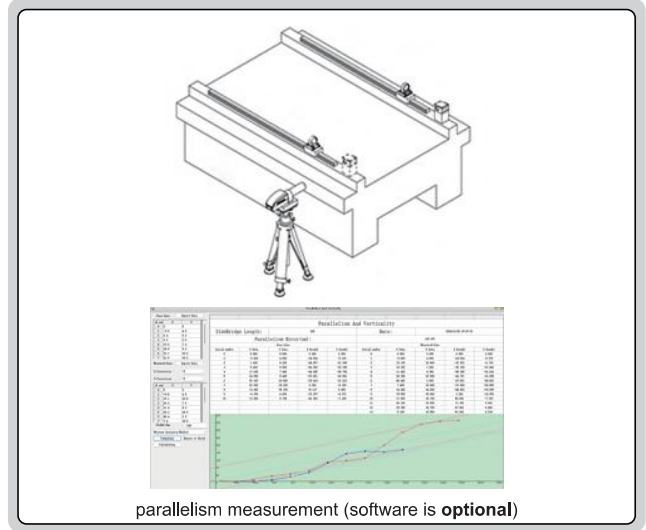
lifting platform (optional)

application



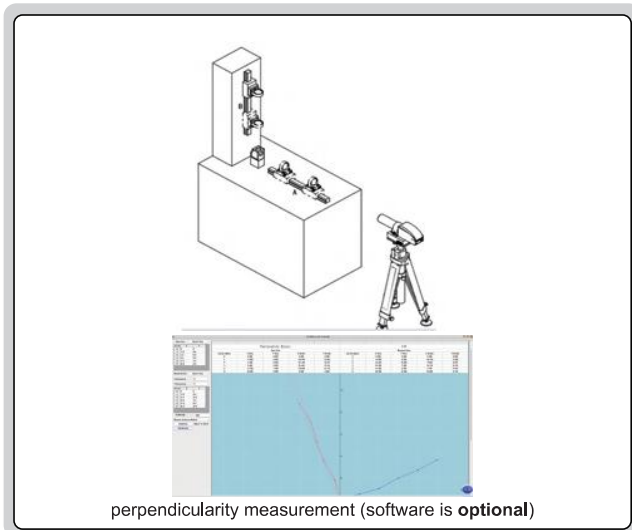
straightness measurement (software is included)

application



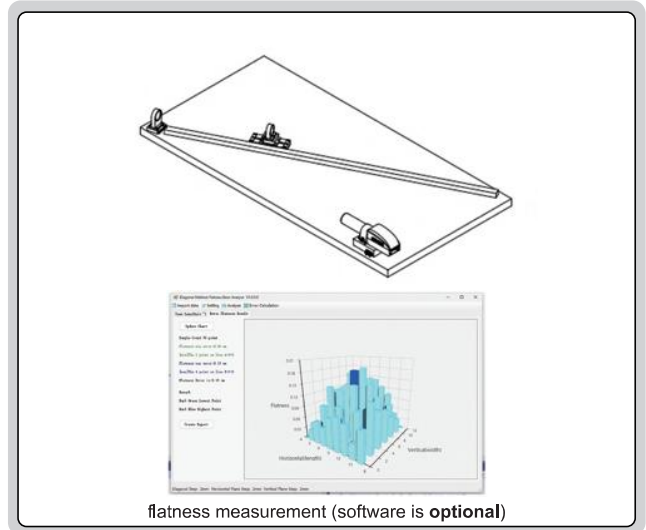
parallelism measurement (software is optional)

application



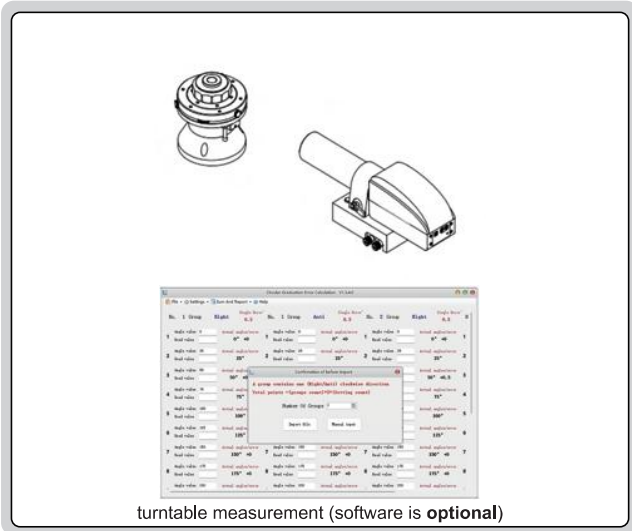
perpendicularity measurement (software is optional)

application



flatness measurement (software is optional)

application



turntable measurement (software is optional)